



' RFXP HQM DP H	' RFXP HQM R	' DM	3DJH
( 5 6SHFLIFDMRQ	=-4 0 5' 63& +		

(( 0 %%\$77( 5<

/ LMLXP 7 KLRQ O&KØUGH%DMU

6SHFLIFDMRQ

K2Ê.› G "\_+e"•

x ñ?ôl -

( QHJ\ 7\SH

0 RG-D» ' ( 5	
&DSDFLW é Gÿ	P\$K

3UHSUHG5LI	&KFNHG x n	\$ SSURYHG - ü

&XWPHUÒ g =0 Æ

&XWPHU\$ SSURYDO &XWPHUFRRQLUP DMRQ Ø m.α AÚ		
6LJQDMUH1' •	&KFNHG x n	\$ SSURYHG - ü

\$ GGJHWE ) %ØFN -LQGL, QGXMDD=RGH 6KD7RX6WJHW) XMDQ' LXMJFW6KH-Q KH-Q &KLD

3RMDFRGH

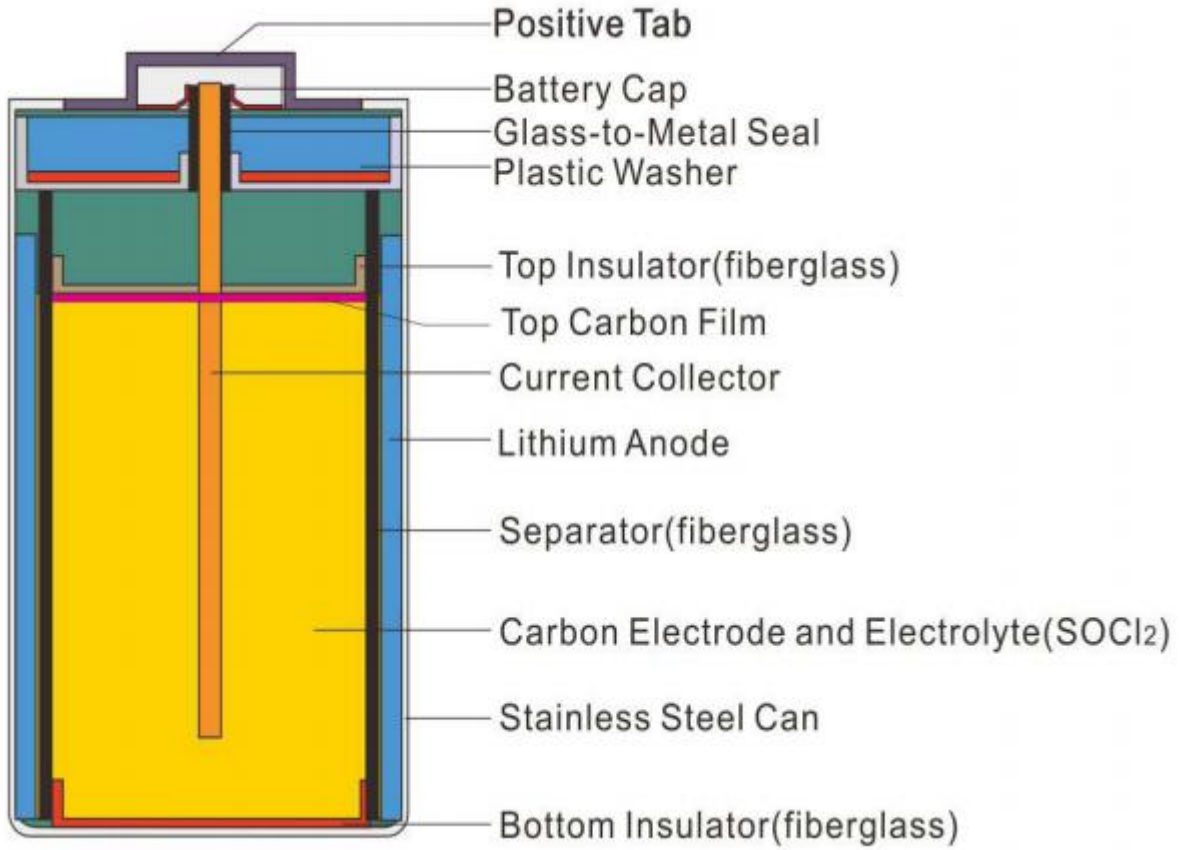
3KRQÆE

)\$; Æ

[KWSV ZZZ HPEFRP](#)

' RFXP HQM DP H	' RFXP HQM R	' DM	3DJH
( 5 6SHFIIFDARQ	=-4 0 5' 63& +		

%DMMU 6WKFVUH







' RFXP HQM DP H	' RFXP HQM R	' DM	3DJH
( 5 6SHFLIFDMRQ	=-4 0 5' 63& +		

6FRSHF2+X93 \$

7KLV SURGXFWV SHFLIFDMRQ GHILQH VWHUHTXUHP HQVRI VWH/ LMLXP 7KLRQ O&KOLUHG EDWWU VXSOLHG VRI VWH  
 FXWRPHUE (( 0 %&R / V&R  
 \ x ñ ?ôl -F2+X¾ (( 0 % È, ' K2È.) G "\_+e"• Ä

) HDXUHV DQG \$ SSOLFDMRQV I 7- ¼ Ä+X

) HDXUHV I 7-

- ✓ ([ FHQDQWKHDQIH \ HDUVDWRPP WP SHUDMUH CXOK Ä Ö\$Y; □ Ä Ä
- ✓ / RZ VHD GLVKDJH RUOWSHU HDU 8 n+e). ~ Ä!ÿ □ Á F \$ ~ Ä Ä
- ✓ 6XLV GIRUOQ VMP XHZ LK OZ FXUHQWF28K O ~+e#q ~+XÄ
- ✓ %HWWXLWRUOZ FXUHQVGLVKDJH OF28 ~+e#qn+eÄ
- ✓ : LGHWP SHUDMUH UDQHIURP VR \$YÖ93\$ - È p ` Ä
- ✓ %REELQ WSHRU DWRH O 4iEa» F q £+e8BÄ

\$ SSOLFDMRQV Ä+X

- ✓ : DMUPHMY/"d>~
- ✓ \* D/PHMY/" "D>~
- ✓ . LØZ DMSHUKRXUPHMY+e>~
- ✓ ( ØFMRQF SDFNQJ PHMY+e€ 5>ö >~
- ✓ 3& UHDMV HFOFNV3& Î & &JÏ
- ✓ 0 HGFQ TXLSP HQMk+C~ €
- ✓ &0 26 P HPRV EDFNKS&0 26 µ ^ 7 -

%DMU %DMF &KUDFMUVMFV+e8Bx ñ \* \ (©W

1 R ¿ '	,WP N©	&KUDFMUVMFV (©W	5 HP DN 7#
	0 RGH» '	( 5	
	1 RP LQD&DSFLW 70 é Gÿ	P \$ K	
	1 RP LQDØRQWH 70 +e»	9	
	0 Q &RQXV' LVFKDJH&XUHQVO WF 5 n+e#q	P \$	
	0 Q 3XOH&XUHQVO W79 â n+e#q	P \$	
	: HJKVÿGÿ	\$ SSUR J	
	6HD GLVKDJH5DM8 n+e).	"	
	2 SHUDQJ 7HP SHUDMUH OÈYÖ	a	
	6VRDJH/ LH Ø ^ / -	\ HDU	

' RFXP HQM DP H	' RFXP HQM R	' DM	3DJH
( 5 6SHFLLFDMRQ	=-40 5' 63& +		

6WUDJH 5HFRPPHGG ^ Ø Ä * ApÅ	"	
------------------------------	---	--

\$W f P\$ GLVKDJHWRHGGRI YROUJHRI 9

f & P\$ n+e8#4ø!' +e» 9 Ä

\$W f VHXGGVKDJHGEDMMU EHJLQVR GLVKDJHZLVK DEDHFXUHQARI - \$ ' XUQJ VHX  
GLVKDJHSURFW D P\$ VSXOHVUHDDVGHYU PLQMM 7KHEDMMU YROUJHILVQRVZ HVMQ 9 DV  
VWVWP H7KLVYROUJHYDZHLOYU GHVRSXOHFKDUFMUMV VWP SHUDMUH DGGEDMMU XDJH

X f , ' & ; È Z nE±e, ' +e" - \$, ' \* .p+e#q0 û n+eÈ X n+e, ' E-0; ] È!y 6JÏ Gü  
n 0 Z P\$ 0 , ' 79â È!" & , ' +e" +e» I = ~ ¾ 9 ÄB +e» I J 79â (@WÄ\$YÖ È+e" - +X  
õ ä , ' F6< F Ä

: K-QVHRSHUDMU VWP SHUDMUHILV/KJKHURUQZ HVMQ VHXGRUP DQMP SHUDMUH VHXGLVKDJH FDSFLW DGG  
VHXIQWDSXOHYROUJHRI VHXEDMMU DUHUGXFG

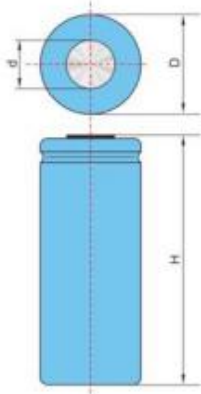
- +X\$YÖQ ¾ F ~ ¾ h \$YÈ+e" , ' n+e é Gÿú 79â M û +e» w J L} ~ Ä

1 RM 7#

- ✓ ) RUKJKUDMGLVKDJH VHP Q IP XP RSHUDMRCOMP SHUDMUHKDVR EHØZ HUG
- ) ¾Q FQ. n+eÈ õN{ } ~ 0Q C\$YÖ Ä
- ✓ %DMMU SHURUP DGHDDGGEDMMU FDSFLWLVIXQFWRQRI FXUHQVUDQ VWP SHUDMUH DGGFXVRI YROUJH  
+e" W7- ¼+e" é Gÿ\_+e#q#, 6GÈ\$YÖ ¼ Z!' +e», ' - Ä
- ✓ ( QJ\ 7\ SH EREELQ VHXFUMH EDMMU KDVYHU ØZ VHD GLVKDJHRQ VHXVHD DGGGXUQJ RSHUDMRO , VW  
EHVWXUNG IRU ØZ FXUHQVGLVKDJHV , WP D UHTXUH GSDVLYDMRO EHRUH PHGXP FXUHQV FDQ EH  
GØYHUG
- 7-Gÿ«» Ä4iE± ' Ä+e" X Ø ^ ¼ CEOL\$§ 9Mžh ~ , ' 8 n+eÄ³ 0F28 ~+e#qn+eÄ XEÄF1  
] 1y+e#q{ } 7-MQ±ë JÍ F Ä
- ✓ , QRUGHVRFDSXOMSUFLVHQHWP HXGGUYDURVXVHQURQPHQW DVZHODVXVHEDMMU IQDVHUZD ZH  
UFRPPHGG\ RXVRFRQXOV ( 0 %  
j ¶ X 4/y)ß³ ; AÑQZi.ž , ' - +X/ - È ú \$¹ ~ , ' é ? - +X+e" È A \* ApØ ØB (( 0 %Ä

%DMMU & HØ6KDSHDGG' LP HQMRQÄ 8 QVÖ P P Ä

x ñ F ' ú j ( Ä ...} Ö P P Ä



, VMP NØ	6SHFLLFDMRQ?øI
'	0 Q
+	0 Q

'RFXPHQW (5 6SHFLILF	'RFXPHQW 1R =-40 5' 63& +	'DWH	3DJH
----------------------------	------------------------------	------	------

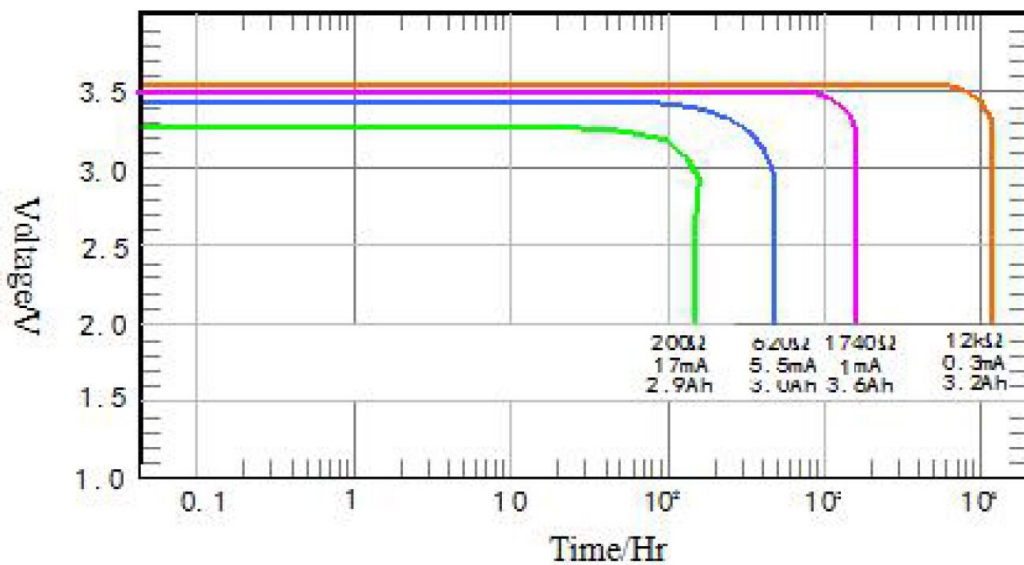
\$SSHDFDQFH

,W VKDOO EH IUHH IURP DQ\ GHIHFWV VXFK DV UHPDUNDEOH VFUDV  
PLGGOH GHIRUPDWLRQ

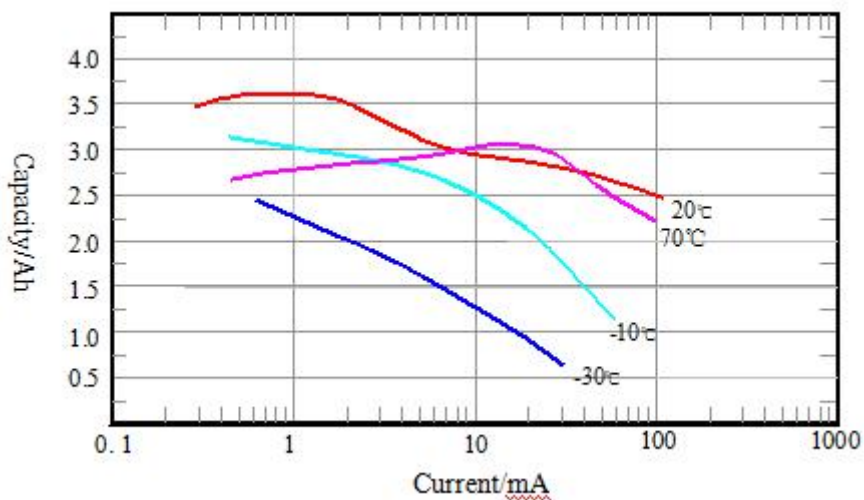
+e"~M' BT ã>ð4é ã?&é ãK8<° ã ' ã 8ç ã%?#ã1y5jL\$ È JL\$ 6 Ç\$ ã

&KDUDFWHUHQW ãFV & XUYH

'LIIHUHQW ORDG GLVFKDUJH FKHUHQW DW QR  
h\$Y ; = <COE- n+e© W

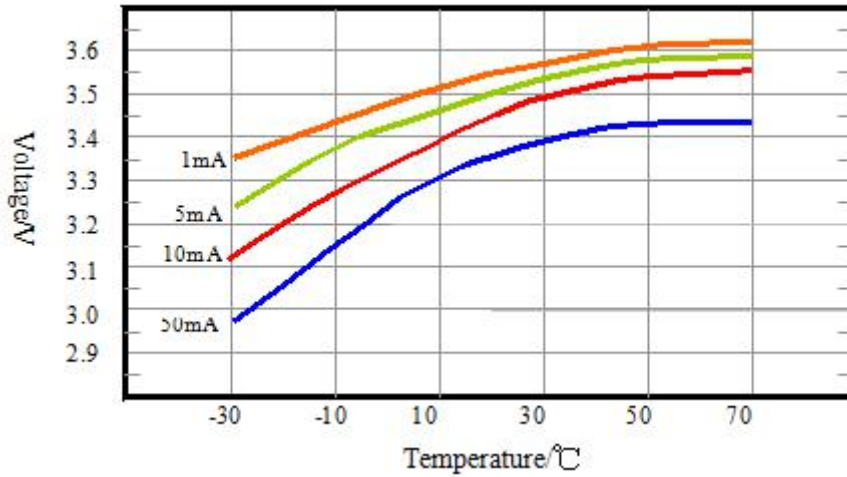


'LIIHUHQW GLVFKDUJH FXUUHQW DQG GLVFKDUJH FDSDFL  
= < n+e#q > n+e éGÿ© W



' RFXP HQM DP H ( 5 6SHFLIFDMRQ	' RFXP HQM R =-40 5' 63& +	' DM	3DJH
---------------------------------------	-------------------------------	------	------

9R00WHSDMRUP FKUDFAMUMF GDJUDP DVQIIFHQWMP SHUDMUH  
= <\$YÖ; +e» £ (©W.

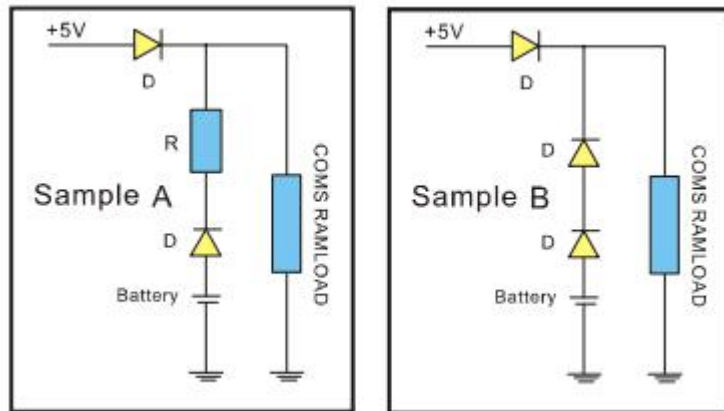


0 HP RU %DFNXS & LLFXLW HMLJQ6XJJHMRQ ^ Ø~ 7 - +eD AîAÑ\* AP

\$ SUP DU QMLXP EDMMU LVQRVHFKDJHDEØI ZKHQXVGI RUP HP RU EDFNXS LQFRP ELQDMRQZ LK DGRMHUSRZ HU  
VRXUFH FXUHQ/P D IQZ LQR VHFEDMMU IURP VHRMHURXUFH \$ SURMFWRQ GRGH DQG UHVLWRU LQR VHFUFXLW/  
QHGHGVR DYRLGEDMMU FKDJLQ RURYHUGVFKDJLQ 6HDFMD VQFRQ GRGH RUD GRGHZ LK P LQP XP ØNDJH  
FXUHQ/DQG GHMLJQ VHFUFXLWR VDWVH DP RXQ/RI FKDJLQ GHVR ØNDJH FXUHQ/Z LQGRVH FTHG RI VHF  
GRP LQDDEDMMU FDSFLW RYHUMHVMDSHURGR XVH

$f > 0 Z + e\$Ä\delta 8 + XCE^ \delta \sim 7 - \& \dot{E} 0!QK2+e \cdot = \frac{1}{2} u + e x + e \# q 7 - p 0 Z \$ \# q \cdot + e \cdot \ddot{A} M \pm$   
 $X + e D ] \sim + X \hat{O} \frac{1}{4} \pm 1 \ddot{N} \frac{1}{4} + e L k \sim F \} + e \cdot u + e F E \div \ddot{O} n + e \ddot{A} F 9 . u \frac{1}{4} \pm 1 \ddot{N} F \S 9 0 ? \% \# q , \frac{1}{4} \pm$   
 $1 \ddot{N} \dot{E} ; A \dot{i} A \dot{N} \dot{e} D \dot{E} \sim \% \# q E C \S ' u + e G \ddot{y} = C \dot{I} E \dot{k} \sim + X \& L \$ \mu + e \cdot 7 0 \acute{e} G \ddot{y} ' \ddot{A}$

: KQIXVHGI RUP HP RU EDFNXS VHIRØZ LQ FUFXLW DQEHDSØHG  
+X<sup>3/4</sup>µ ^ 7 - & È Ä - +X ; +eD Ö



0 DMMU/1 HGLQ \$ WDMRQ# ? » N©

6WVQ REVHYH VHIRØZ LQ QHGLQ DMMRQ (( 0 % Z LQGRVH UHSRQMEØI RUDQ DFLG-QARFFXUJGE  
KQGGQJ RXWLGRI VHSUFDXMRQ/LQMLV/SFLIFDMRQ  
UI F¥, ; # ? » N©Ä) ¼ \ ?93], ' N'lbÚí { F, ' ý ØB< +Q' + ...» u È (( 0 %² = CØSÄ

' RFXP HQM DP H	' RFXP HQM R	' DM	3DJH
( 5 6SHFLLFDMRQ	=-40 5' 63& +		

### &DXMRQ# ?

- ✓ 8 VH1 LFN-HOSDINGLURQRU1 LFN-HOSDINGVILQDQW/VH-HI RUM-HVWUP LQDQVNDVFRQDFVWHEDMWU  
~ +XKpK}Jñ FKpK} = K8JÒCEj Ö@+e"•, ' 1 € Ä
- ✓ 0 DNHVXUHVNDVWUP LQDQFRQDFVWUHVXUHLV JPIQXPXP IRUDVWEDHFRQDFW  
.ž 1 € Ö@ » È 0 ? j JÈ .ž 0cÉ Ö@ Ä
- ✓ . H-SVWHEDMWU DQGFRODFVWUP LQDQXUDFH/VQDQDQGIUHIURP P RLVWUHDQGI RUIJQP DMWU  
1+e"• ¼ Ö@1 €>~M"\$5#1ÉF~ } %ž¼2(TMF • Ä
- ✓ %HRIUHLQHVUQ VWHEDMWU FK-FN VWHEDMWU FRODFVWUP LQDQVRP DNHVXUHVNH DUHQRP DOQRVH-QARU  
GDPDJHG %H-QVWUP LQDQVP D QRP DNJRRGFRODFVZLVK VWHEDMWU RUP D FDXHVKRVVFLUXW  
X • +e"• { } ÈB' ð +e"• Ö@1 € È.ž ³ !" h È"Ñ9 \_ " F • • Ä Ä \_ ", ' 1 € 7- >+e  
"• Ö@ = 8ÿF 7- , 8\$. D Ä Ä
- ✓ : KHQ VWHEDMWUHV/DHSLQGXSLQDGLVRLGHQ ZD VHLUSRVLVYH DQGHQJUDVYHVWUP LQDQVP D VKRUVFLUXW  
FRQXP LQJ VRP HEDMWUHV/ZKQHFQJLQJ RUMHV FDXLQJ HJ SQRVQ  
f+e"• ž 60 & È ³ , !" ± ¼CO± 7- J. D È X5 ! +e"• u+e&#, 6G0 È+e"• È p6<, 8\$  
(6&èÄ
- ✓ / LVLXP EDMWUHV/VQDUH DQ RWHJ KDXVNG FDQ RXSXVD YROUHVNDVWUP DQ RLVWUHVDPH D/VQARI DQZ  
EDMWU SODHGRQRVWIGJHDEDMWU RQD ZLVK D9RQVHMU\$YRIGXVQJ DP LQ VUHRV RQDQGHQZ EDMWUHV  
UHQDFH DQEDMWUHV/LQDVHZLVK QZ RQH  
+X¼, ' K2+e"• EÄ\* > à+e"• ~-( <, ' +e » ÈB' =?±õ+X+e » > T Ý+e"• ÄF~ } à +e"• \$  
+Xx+Xà, ' +e"• \$ ' 0 ‡ +e"• Ä
- ✓ / LVLXP EDMWUHV/GHG DSHURGRV VPHVR UFRYHU VHLUQRUP DOYROUHV D VUHYHQ D VQKVKRVVFLUXW  
7KHURUH L VWHEDMWU LV VKRUVFLUXWNG ZDQDQ DGHXDM QQJ VPHV IRU EDMWUHV VR UFRYHU EHRIH  
PHDXUQJ VHLUHQDFWDFQDFWUHVWV  
£ \_ \_E«p, ' . D ÈK2+e"• • M0±0!â &L\$} 7- ' =!" h+e » Ä !" È ² ì +e"• . D ÈB' X#(Gÿ+e  
"D(©W{ } 1yµCäOK, ' &L\$AÙ+e"• ' = Ä
- ✓ 8 VHDKJKIP SHQGFH 0 RUKJKHU YROVHMURP PHDXUHEDMWU YROUHV  
~ +XQ Lk Ä 0 F \$ Q Ä+e » >~#(Gÿ+e"• +e » Ä
- ✓ %DMWU FKQDFWUHVWV YDUV ZLVK WSH DQGHQJUDGH HXHQZ KHQ EDMWUHV/DH VPHVDPH VJH DQGHQDGH : KHQ  
UHQDFH DQEDMWUHV/ZLVK QZ RQH/VHXUHVRFUHXQD FK-FN VHV P ERQ DQGHQXP EHUVRQVMP  
£ ~ +e"• j ( ¼' (æ (< È+e"• (©W• J » ' ¼1y4x6<2 Ä \$ ' à+e"• & ÈB' Ñ õ 4ö ð +e"•  
: , ' 1V' ¼ ‡ Ä

### ' DQJHU ; L™

- ✓ ' 2 127 UFKQJH VKRUVFLUXWGLVMP EOH GHURP KH-DARUSQFH VWHEDMWU QHJD GLVFWOPH 7KV  
EDMWU FRODLQ/IOPP DEOH P DMUDQVFK DVQMLXP DQGRUJDQF VROHQV DQGHQSHURP LQJ DQ RI VWHDERYH  
DFWQVFRXQGFDXHVLVRLQVMHJ SQRHURVFRPHQDP DJHG  
B' / X-\$ Ö&," LtF u+eÈ. D È ö " È ' È B' F n5ž+e"• ÄB +e"• [ 9 C'ó € È È ² K2¼9  
j \$æ È : F + ...ý QG- 7- , 8\$! (6&èF • • Ä
- ✓ ' 2 127 RYHUGVFKQJH VWHEDMWU , QFDH VWHEDMWU LVRYHUGVFKQJHGEDMWU KQVSRVQVQDRI HJ SQRVQ  
, QFDHEDMWU LV RYHUGVFKQJHG ZKHQ FROQFVNG ZLVK HJ VUURSRZHUVXUH RUFRQFVNG ZLVK RUMHV  
EDMWUHV/LQVUHV HJ SQRVQPD RFXU  
B' / E÷Ön+eÄ ² ì +e"• E÷Ön+eÈ+e"• 7- J(6&èÄ ² ì +e"• E÷n+eÈ f > FG+e\$ÄF Ö F >  
! +e"• b6,, & È 7- J +Q6&èÄ
- ✓ . H-SVWEDMWU RXVR VHUHFKRIFKQJH , I LVAZ DQZHG FRODFVDSK VEDQIPPHGDMD





' RFXP HQM DP H	' RFXP HQM R	' DM	3DJH
( 5 6SHFIIFDMRQ	=-40 5' 63& +		

B' 6!" +e"• n X o1 Ö@ = ` , ` é Ä² ì N; ÈB'0ú£6,,3+k+OÄ

- ✓ : KHQVRUIQJ DEDWU RUVURZIQJ LWZD EH VXUWR FRYHULVZ LK VSH ,I VHEWU LV FRQDFWZ LK RMHUP HDREMFV LVFRXGFDXVHILUHRUEFRPHGDP DJHG
- ^ n+e"• F R 3+e"• & ÈB' Ñ ð+X7&V 5 • +e"• Ä² ì +e"• > ; H Ž(TMf Ö@ È 7- J EC&®&® F • • Ä

**: DUQQ A-z**

- ✓ 7KRURJKO UHG VHXUJ P DQXDEHRIJ XH LQFFXUM KQCGQJ PD FDXH ØNDJH KH-WVPRNH HJ SØMRQ RUIUH FDXIQJ GHYFWXEDIRULQMU
- ~ +X} B' 4öL5B++Xg { ¼È = ö.ž, ' ý CE 7- J , 8\$°%?È ' È Ä' È(6&èFC&® È p6<, 8\$ Aî 7 uLì F ê ^ T Ä
- ✓ ,QHVVHEDWU ZLKVH DGG HQG/FRUFWØ RUIHQG
- +e"• & È# ? ± ¼ ± é A!" .ž Ä
- ✓ ,I VHEWU LVXVGVUJHMLUZ LK QZ EDWUHV GRQVXVHLVZ LK DGIHJQVSHEDWU
- ² ì +e"• > à+e"• 0CŞ⁻ +XÈB' / 6 ! > ! 2«», ' +e"• \$' +XÄ
- ✓ ' RQRVROCHUMHEDWU GUFWØ
- B' / -\$ Ö: Ö+e"• Ä
- ✓ \$YRIGVRUIQJ VHEWU LQGUFWXQJIKVRUIQH FMYHD KRWDGKXPLGSDFH
- F⁻ } 6+e"• ^ n XLcy-\$ 4 FE± ¼%\$⁻, ` ` é Ä

(( 0 %UHLYHVMHILQDQJ SODMRQ 3ØDVXVHEDWU VWFØ DFRUGQJ VRVSHFIIFDMRQ (( 0 %ZLQQRVEHUHSRQLEØH RUDQ LQSSURSUIDMFRSHUDMRQ (( 0 %NHSMHULUKVRFKQJHSURGFVWSFIIFDMRQ/ZLWFRVSHUHLRXVGRMFH ,I DQ TXHMQRQ SØDVH FRQXQVZ LK VHP DQXDFMUJ

((0% +%04ø@Gús ÄB' UI 9'—?693⁻ +X+e"• Ä ((0% + ...= f ý CE6 =CØSÄ ((0% +%o i x ñ?ðl - = >|FJ. , ' s Y Ä² 9 + ..L NÈB' ØB f FPv Ä